

Quick & Discounted Pricing

[Click Here](#)

Or Call 908.362.9981



## BFA Series Bulkhead Fittings Oversized Flange

1/2" TO 1" PVC, CPVC AND PP

### KEY FEATURES

- Available in PVC, CPVC and PP
- Oversized Flange Base
- Extra Long Design for Thick Tank Walls
- Left-Hand Threads
- Rated at 150 PSI
- FPM or EPDM Gasket Seal
- Hex Body for One-Person Installation
- Full Buttress Threads

### OPTIONS

- Ready Flanges (for Making Flanged Connections to Tanks)
- Tank-Tite™

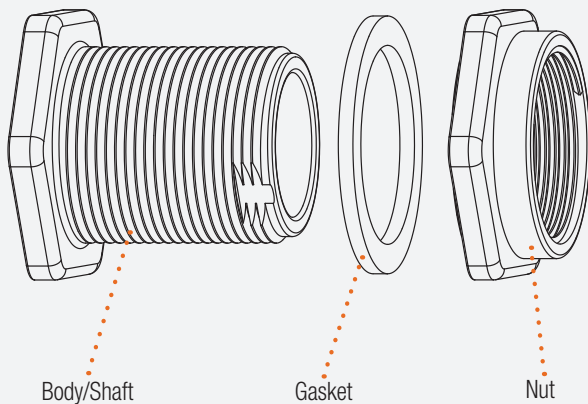
### MATERIALS

- PVC Cell Class 12454 per ASTM D1784
- CPVC Cell Class 23447 per ASTM D1784
- PP per ASTM D4101
- FPM and EPDM Gaskets

BULKHEAD FITTINGS AND TANK ACCESSORIES

## TECHNICAL INFORMATION

### EXPLODED VIEW



### SELECTION CHART

SIZE	MATERIAL	END CONNECTION	GASKETS	PRESSURE RATING
1/2" – 1" (DN15 – DN25)	PVC	Socket x Socket Socket x Thread	FPM or EPDM	150 PSI @ 70°F Non-Shock
	CPVC	Thread x Thread		
	PP	Thread x Thread		

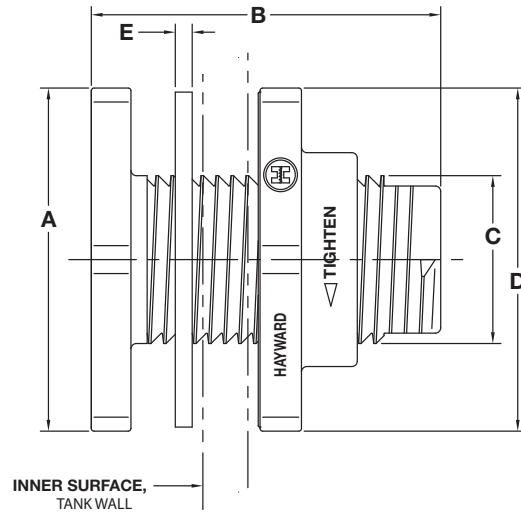
# BFA Series Bulkhead Fittings – Oversized Flange

1/2" TO 1" PVC, CPVC AND PP

## TECHNICAL INFORMATION, CONTINUED

### MINIMUM INSIDE DIAMETERS OF TANKS FOR BULKHEAD FITTING INSTALLATION

SIZE in / DN	ID Rigid Wall	ID Flexible Wall	Max. Wall Thickness
1/2 / 15	7.25"	6.50"	2.08"
3/4 / 20	10.00"	9.25"	2.08"
1 / 25	11.75"	10.70"	2.08"



### DIMENSIONS

SIZE in / DN	A in / mm ACROSS FLATS	B in / mm	C in / mm INSTALLATION HOLE SIZE	D in / mm ACROSS FLATS	E in / mm GASKET THICKNESS
1/2 / 15	2.00 / 51	3.75 / 95	1.38 / 35	2.00 / 51	.19 / 5
3/4 / 20	2.38 / 60	3.88 / 99	1.63 / 41	2.38 / 60	.19 / 5
1 / 25	2.56 / 65	3.88 / 99	1.88 / 48	2.56 / 65	.19 / 5

Dimensions are subject to change without notice – consult factory for installation information  
Dimensions A and D are Across Flats. 1/2" to 1" Hexagon Flats

### OPERATING TEMPERATURE/PRESSURE

