

Quick & Discounted Pricing

Click Here

Or Call 908.362.9981



*Bulkhead Fitting Not Included

TANK TITE™

CCP Series Tank-Tite™* Compression Ring

1/2" TO 3" PVC

The Tank-Tite is a revolutionary patented compression ring that eliminates the need to retighten gasketed bulkhead fittings! The Tank-Tite provides a constant load on the gasket of the bulkhead fitting to overcome, and compensate for, tank wall expansion/contraction in thickness due to changes in temperature and/or pressure within the tank. The Tank-Tite also imparts at the same time a constant load on the bulkhead fitting nut that reduces the possibility of loosening of the nut due to vibration within the system.

KEY FEATURES

- Robust PVC Upper and Lower Body Construction
- 17.7 PH Stainless Steel Wave Spring
- Rated to 150 PSI
- Fits with Hayward® BFAS / BFA Series Bulkhead Fittings
- Can be Used with All Bulkhead Fitting Materials

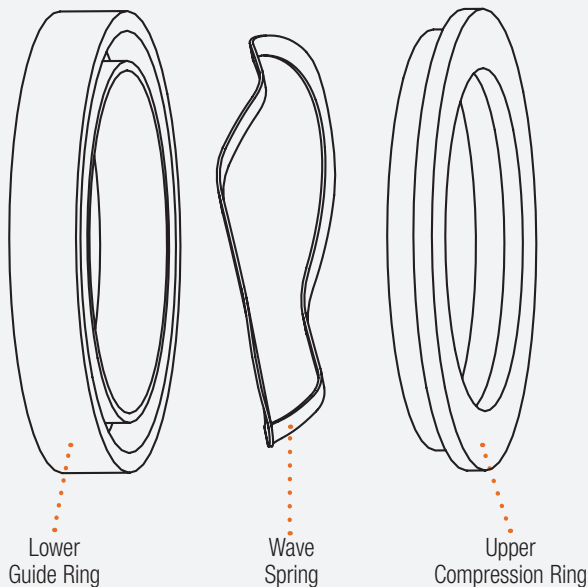
MATERIALS

- PVC Cell Class 12454 per ASTM D1784
- 17.7 PH Stainless Steel

BULKHEAD FITTINGS AND TANK ACCESSORIES

TECHNICAL INFORMATION

EXPLODED VIEW



SELECTION CHART

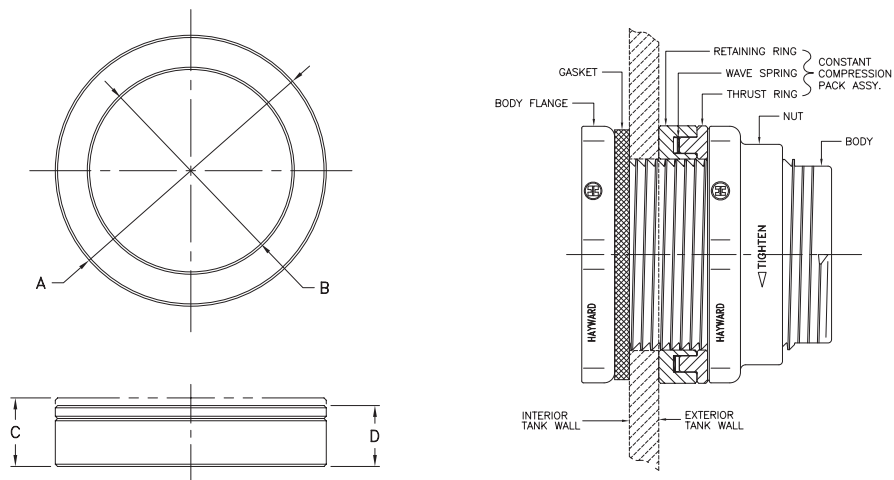
SIZE	MATERIAL	SPRING	PRESSURE RATING
1/2" – 3" (DN15 – DN80)	PVC	17.7 PH SSSL	150 PSI @ 70°F Non-Shock

"Patented" Pat. No.: 8,328,240

CCP Series Tank-Tite™ Compression Ring

1/2" TO 3" PVC

TECHNICAL INFORMATION, CONTINUED



DIMENSIONS

SIZE in / DN	A in / mm	B in / mm	C in / mm FREE HEIGHT	D in / mm WORKING HEIGHT
1/2 / 15	2.40 / 61	1.40 / 36	.80 / 20	.69 / 18
3/4 / 20	2.40 / 61	1.65 / 42	.80 / 20	.69 / 18
1 / 25	2.72 / 69	1.90 / 48	.84 / 21	.72 / 18
1-1/4 / 32	3.56 / 90	2.66 / 68	.90 / 23	.80 / 20
1-1/2 / 40	3.56 / 90	2.66 / 68	.90 / 23	.80 / 20
2 / 50	4.38 / 111	3.25 / 82	.93 / 24	.83 / 21
3 / 80	6.12 / 155	4.52 / 115	1.07 / 27	.91 / 23

Dimensions are subject to change without notice – consult factory for installation information

OPERATING TEMPERATURE/PRESSURE

